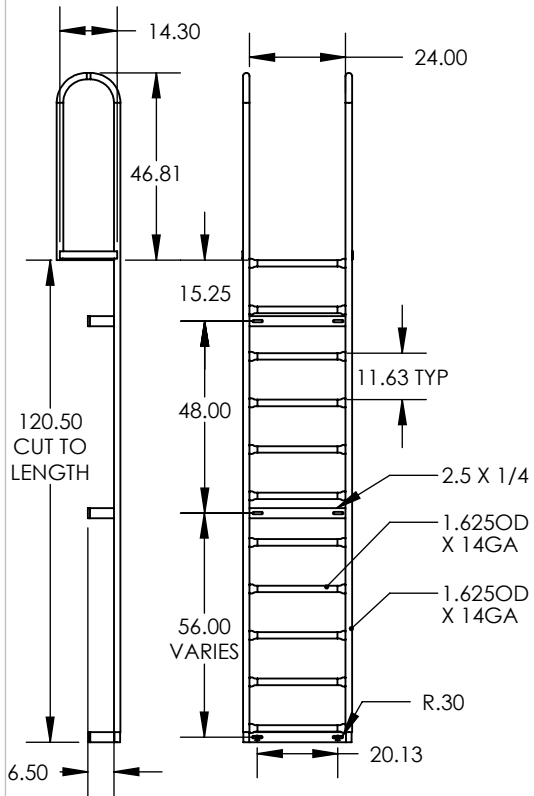
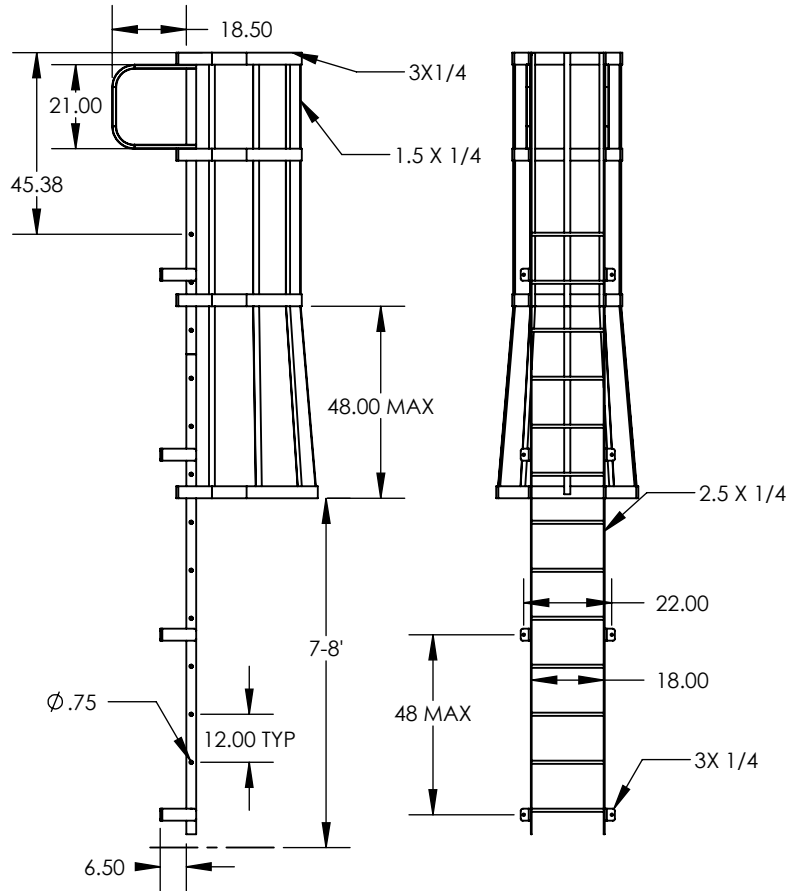


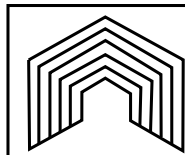
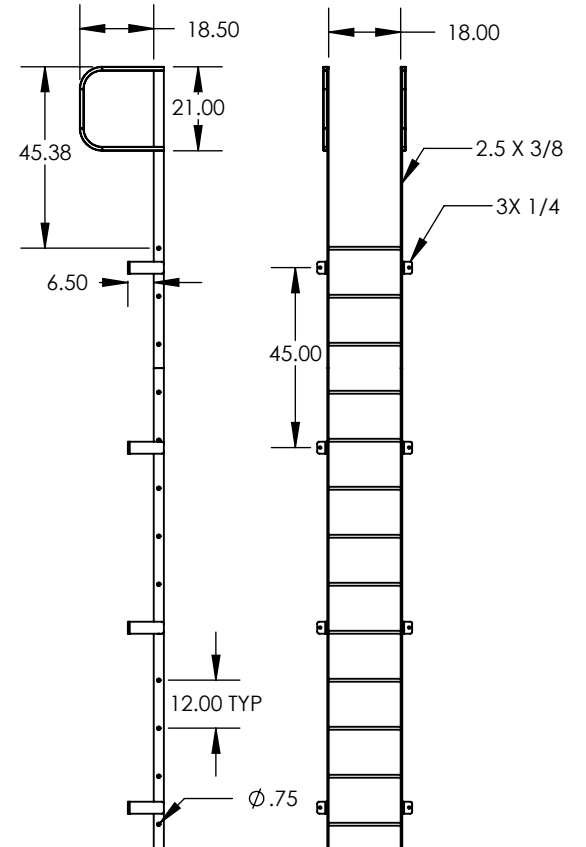
400445-10' FIXED LADDER KIT



CAGED FIXED LADDER 7'-30' RISE



FIXED LADDER 1-20' RISE



Edge Fall Protection, LLC
 www.EDGEfallprotection.com
 TF/F: 844-314-1374
 Info@edgefallprotection.com

TITLE: FIXED LADDER OVERVIEW

SIZE	DWG. NO.	REV
A		

SCALE: 1:48	WEIGHT:	SHEET 1 OF 1
-------------	---------	--------------