

Distributed by



EDGE
FALL PROTECTION

Horizontal Mezzanine Gate

Product Literature

Material handling is more efficient with PS DOORS Mezzanine Gates. Once installed on your mezzanine, this gate opens and closes as needed. Forklift materials to your elevated space and close the gate to protect employees from dangerous workplace falls.

The Horizontal Mezzanine Gate horizontally slides open by manual or automated operation. Activate your gate with the push of a button or a pull of a cord. Once material has been delivered to your mezzanine, the gate closes by timer or other activation device to quickly protect the mezzanine edge. Ideal for material handling, mezzanine openings, pallet racking, warehousing and picking/packaging areas.

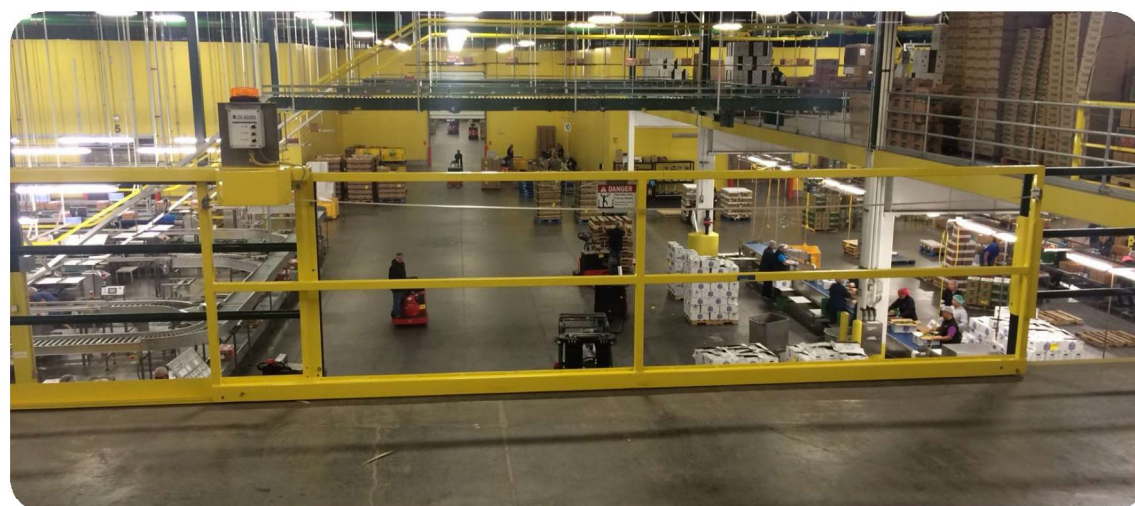
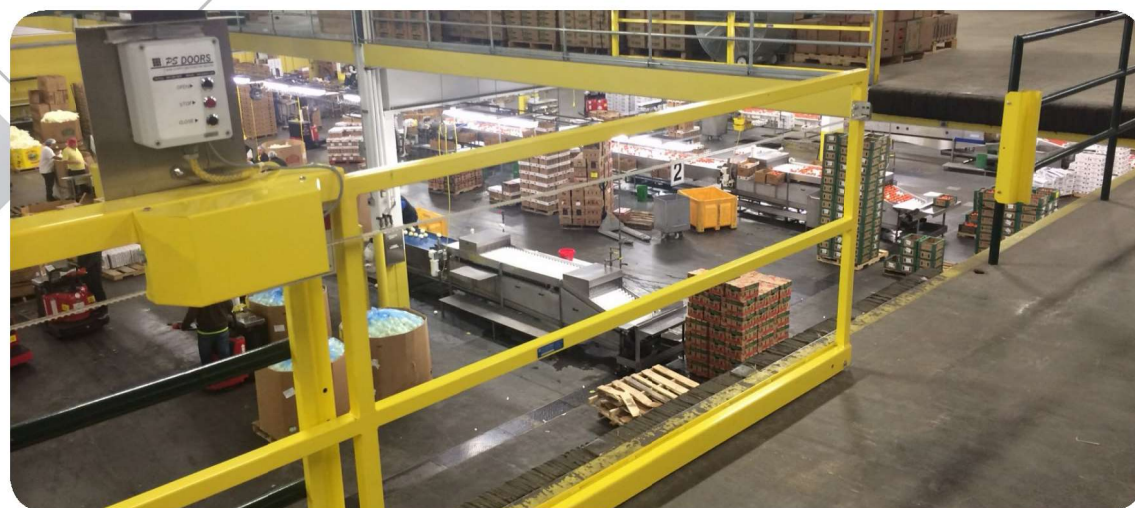
Designed to meet federal OSHA safety railing requirements.

Product Features:

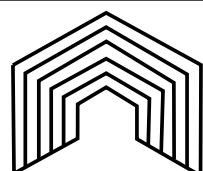
- Ideal for material handling, mezzanine safety, pallet racking and loading docks
- Available in seven sizes to meet your opening width requirement
- Powder coat yellow finish, custom stainless steel finish available
- Manual or electric operation available
- On-deck or off-deck mounting options
- 42" high gate with 4" toe board



US Patent No.
5806245



Shown: MGHEM120042



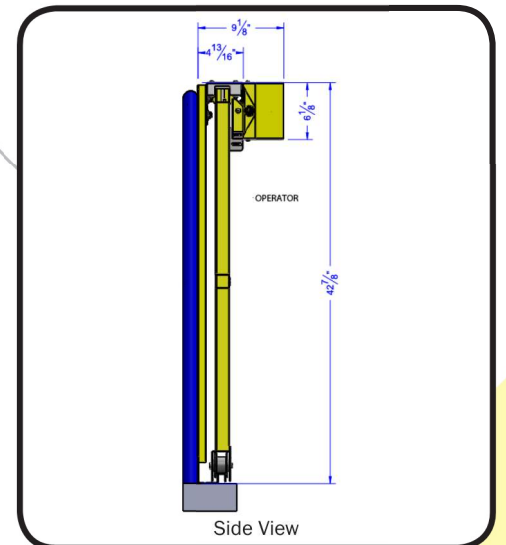
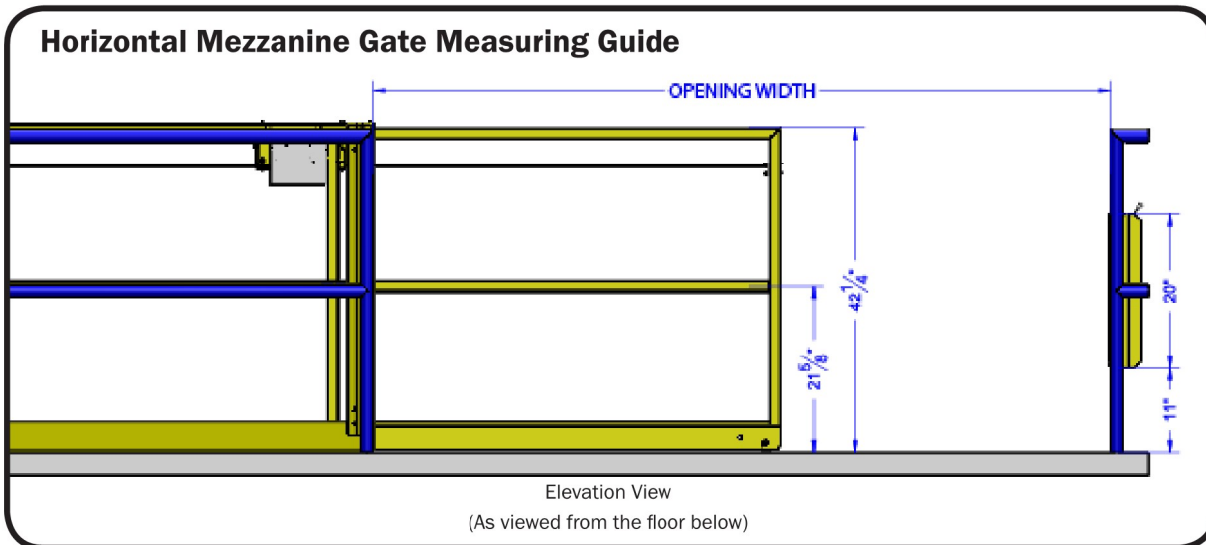
Edge Fall Protection, LLC
www.EDGEfallprotection.com
TF/F: 844-314-1374
Info@edgefallprotection.com

Manufactured by
 **PS DOORS**

Rev. 120516

Horizontal Mezzanine Gate

Product Literature



Standard Technical Data:

Material:

- Gate: 1-1/2" Square, 11 gauge tube, factory welded. Solid horizontal top rail and mid-rail, 4" high toe board, 42" overall height, and vertical members not to exceed 8' on center.
- Gate Material: To be one of the following:
 - Mild Steel
 - Stainless Steel, 304-2b

Hardware:

- Track, Guides, Brackets, and Mounts: Furnished in accordance with material type and dimensional requirement of gate, in lengths and sizes appropriate for handling and shipping.

Installation:

- Mounting Location: Deck Mount (Standard) or Face Mount available.

Finish:

- Mild Steel: Powder Coat Yellow on all unfinished exposed surfaces (Standard).
- Stainless Steel: Mill Finish/Unpainted on all unfinished, exposed surfaces (Custom).

Performance Rating:

- Gate shall meet or exceed OSHA requirements, relative to dimensions and loads, at the time of manufacture.

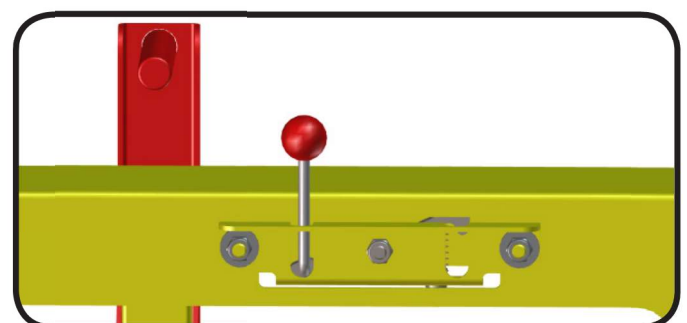
Opening Width	Operator Option	Product Number
48" (Made to order)	Manual	MGHMM048042
48" (Made to order)	Electric	MGHEM048042
72" (Stocked Size)	Manual	MGHMM072042
72" (Stocked Size)	Electric	MGHEM072042
96" (Stocked Size)	Manual	MGHMM096042
96" (Stocked Size)	Electric	MGHEM096042
120" (Made to order)	Manual	MGHMM120042
120" (Made to order)	Electric	MGHEM120042
144" (Made to order)	Manual	MGHMM144042
144" (Made to order)	Electric	MGHEM144042
168" (Made to order)	Manual	MGHMM168042
168" (Made to order)	Electric	MGHEM168042
192" (Made to order)	Manual	MGHMM192042
192" (Made to order)	Electric	MGHEM192042

* Custom sizing and design available. Mild Steel product numbers shown.

OPERATION OPTIONS:



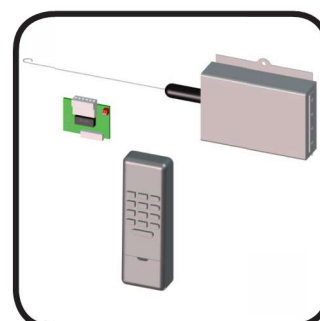
Electric Operator



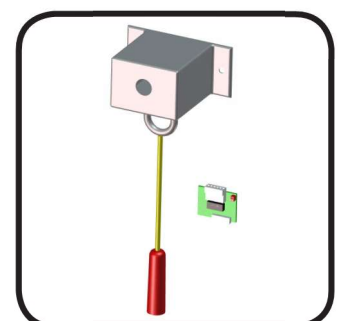
Manual Handle /Latch



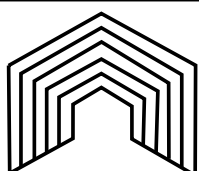
Warning Horn



Radio Control Kit



Pull cord



Edge Fall Protection, LLC
www.EDGEfallprotection.com
 TF/F: 844-314-1374
Info@edgefallprotection.com

Manufactured by
 PS DOORS