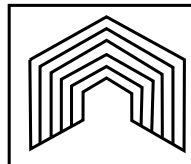
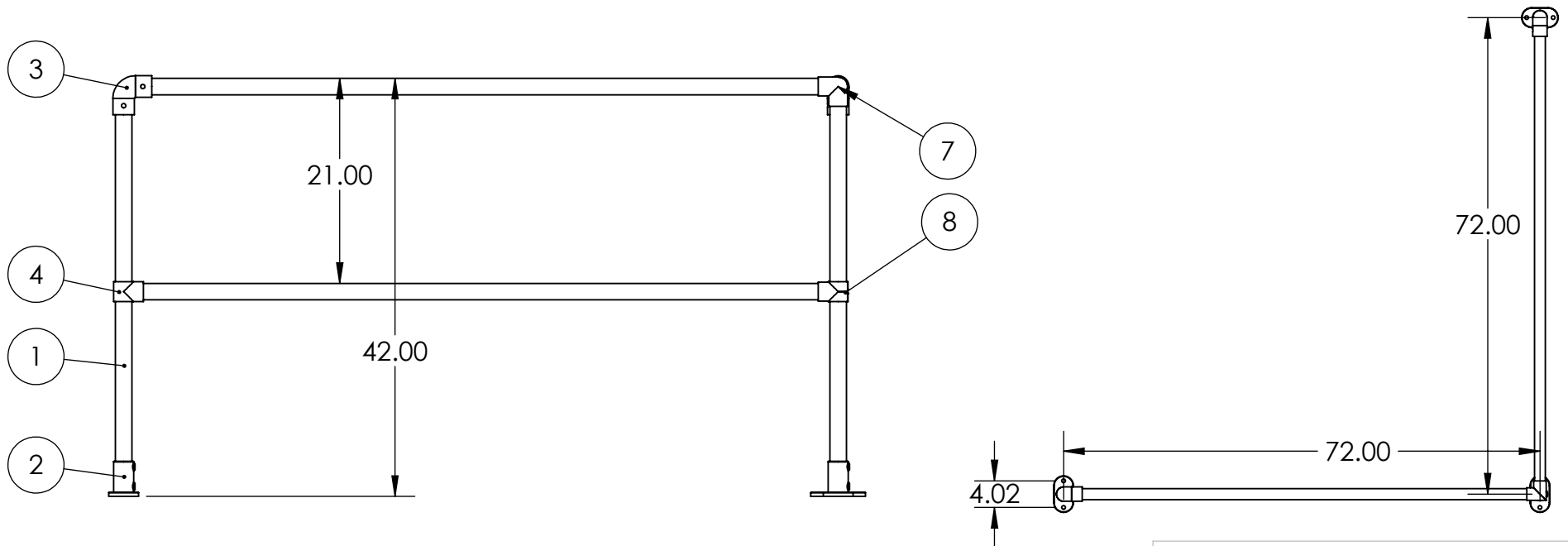


ITEM NO.	PART NUMBER	DESCRIPTION	QTY.
1	420735	40" PIPE YELLOW	3
2	150236	1.25 PIPE FLANGE	3
3	150204	1.25 PIPE ELBOW 90	2
4	150200	1.25 PIPE SINGLE SOCKET TEE	2
5	420737	70.375" PIPE YELLOW	2
6	420739	71" PIPE YELLOW	2
7	150209	1.25 PIPE SIDE OUTLET ELBOW	1
8	150210	1.25 PIPE SIDE OUTLET TEE	1



Edge Fall Protection, LLC
 www.EDGEfallprotection.com
 TF/F: 844-314-1374
 Info@edgefallprotection.com

TITLE: ACCU-FIT KIT 6X6' CORNER (GALV & YELLOW)

SIZE	DWG. NO.	REV
A	400770	

SCALE: 1:16	WEIGHT:	SHEET 1 OF 1
-------------	---------	--------------