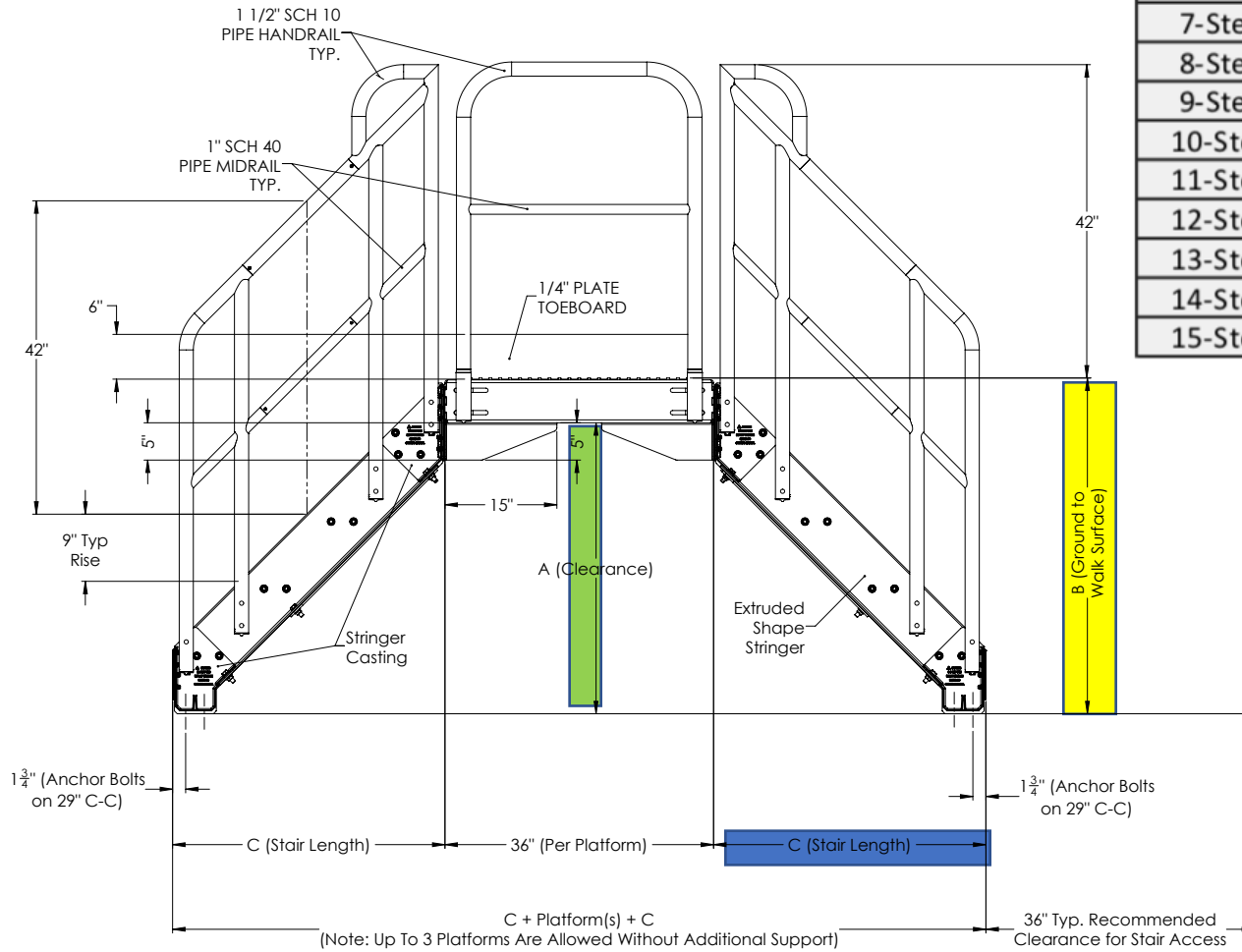
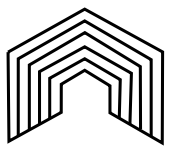
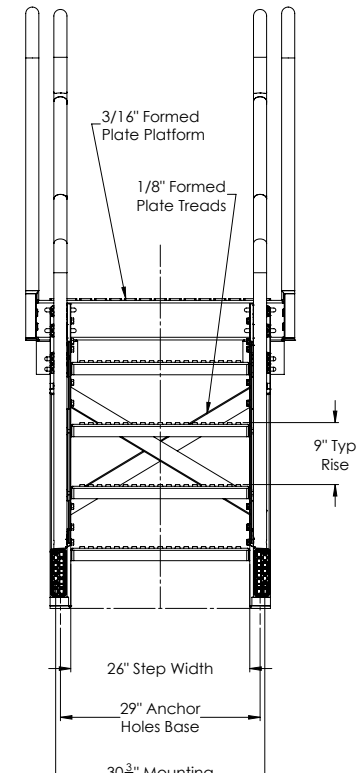




CROSSOVER DIMENSION DIAGRAM



CROSSOVER DIMENSIONS TABLE			
	A. (Clearance)	B. (T.O.W)	C. (Stair Length)
1-Step	12"	18"	9.5"
2-Step	21"	27"	18.5"
3-Step	30"	36"	27.5"
4-Step	39"	45"	36.5"
5-Step	48"	54"	45.5"
6-Step	57"	63"	54.5"
7-Step	66"	72"	63.5"
8-Step	75"	81"	72.5"
9-Step	84"	90"	81.5"
10-Step	93"	99"	90.5"
11-Step	102"	108"	99.5"
12-Step	111"	117"	108.5"
13-Step	120"	126"	117.5"
14-Step	129"	135"	126.5"
15-Step	138"	144"	135.5"



Edge Fall Protection, LLC
 www.EDGEfallprotection.com
 TF/F: 844-314-1374
 Info@edgefallprotection.com