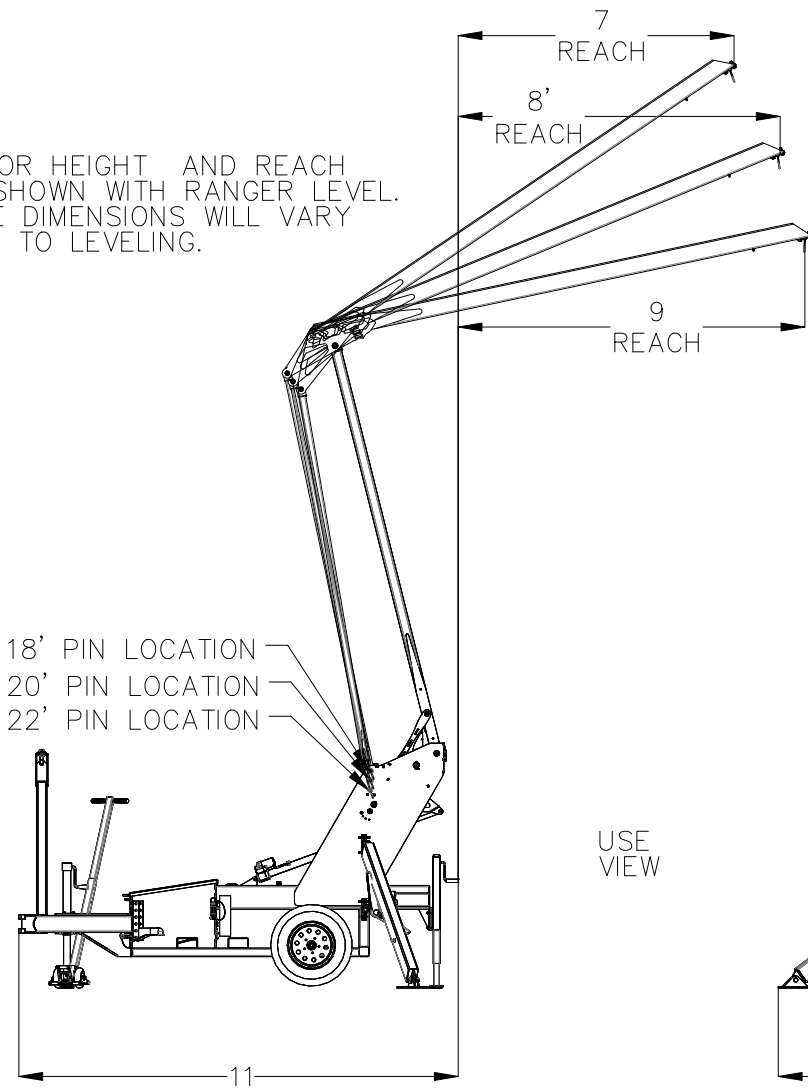
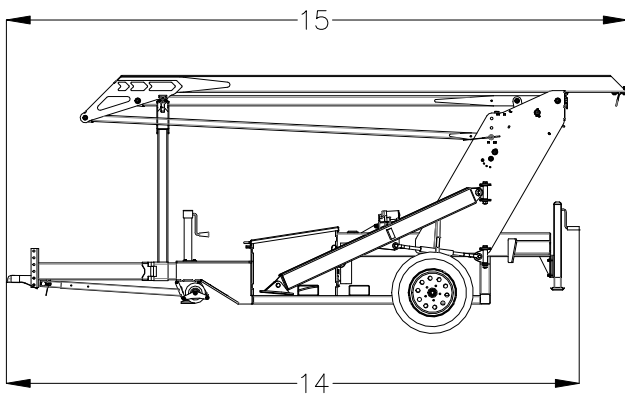
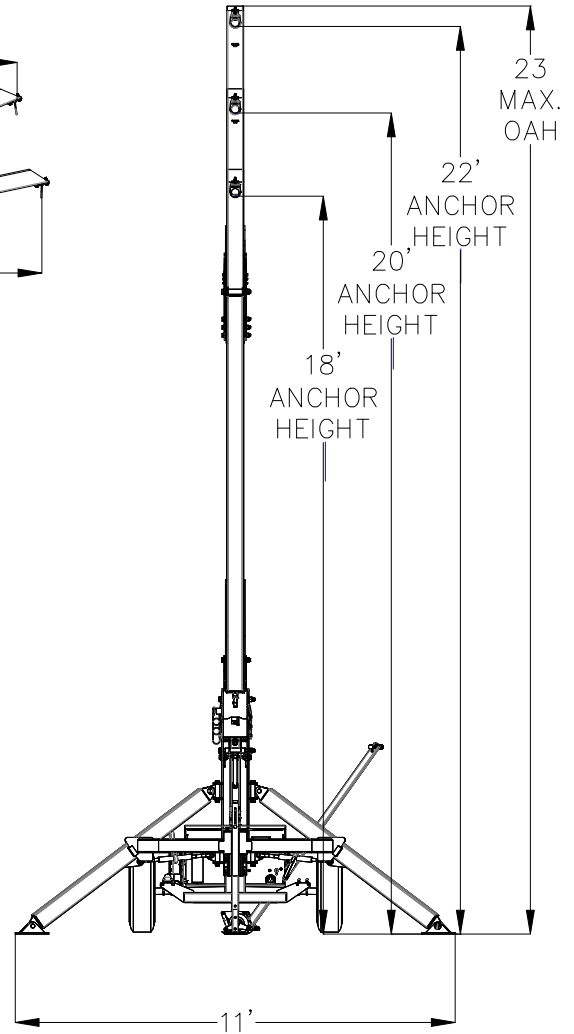


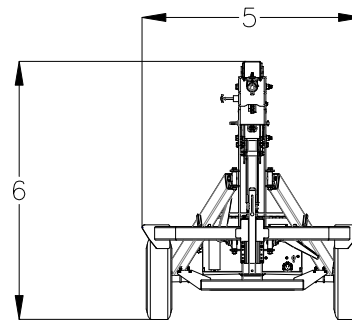
ANCHOR HEIGHT AND REACH ARE SHOWN WITH RANGER LEVEL. THESE DIMENSIONS WILL VARY PRIOR TO LEVELING.



USE VIEW



TRANSPORT VIEW



# GORBEL

600 FISHERS RUN  
P.O. BOX 593  
FISHERS, NY 14453-0593

TITLE Ranger-NH-1P-22-B

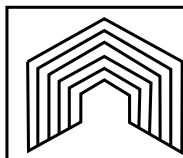
NUMBER OF WORKERS: 1

CAPACITY: 310 lbs per worker

DWN. BY GORBEL

DATE 2/28/2020

P/N MMcCar00009.1A



Edge Fall Protection, LLC  
www.EDGEfallprotection.com  
TF/F: 844-314-1374  
Info@edgefallprotection.com

THIS DRAWING REPRESENTS A CONFIDENTIAL PROPRIETARY DESIGN ORIGINATED BY GORBEL INC. AND ALL DESIGN, MANUFACTURING, REPRODUCTION, USE, AND SALES RIGHTS REGARDING THE SAME ARE EXPRESSLY RESERVED. IT IS SUBMITTED UNDER A CONFIDENTIAL RELATIONSHIP FOR A SPECIFIC PURPOSE, AND THE RECIPIENT AGREES BY ACCEPTING THIS DRAWING NOT TO SUPPLY OR DISCLOSE ANY INFORMATION REGARDING IT TO ANY UNAUTHORIZED PERSON, OR TO INCORPORATE IN OTHER PROJECTS ANY SPECIAL FEATURES PECULIAR TO THIS DESIGN. ALL PATENT RIGHTS HERETO ARE EXPRESSLY RESERVED BY GORBEL INC., FISHERS, NY.